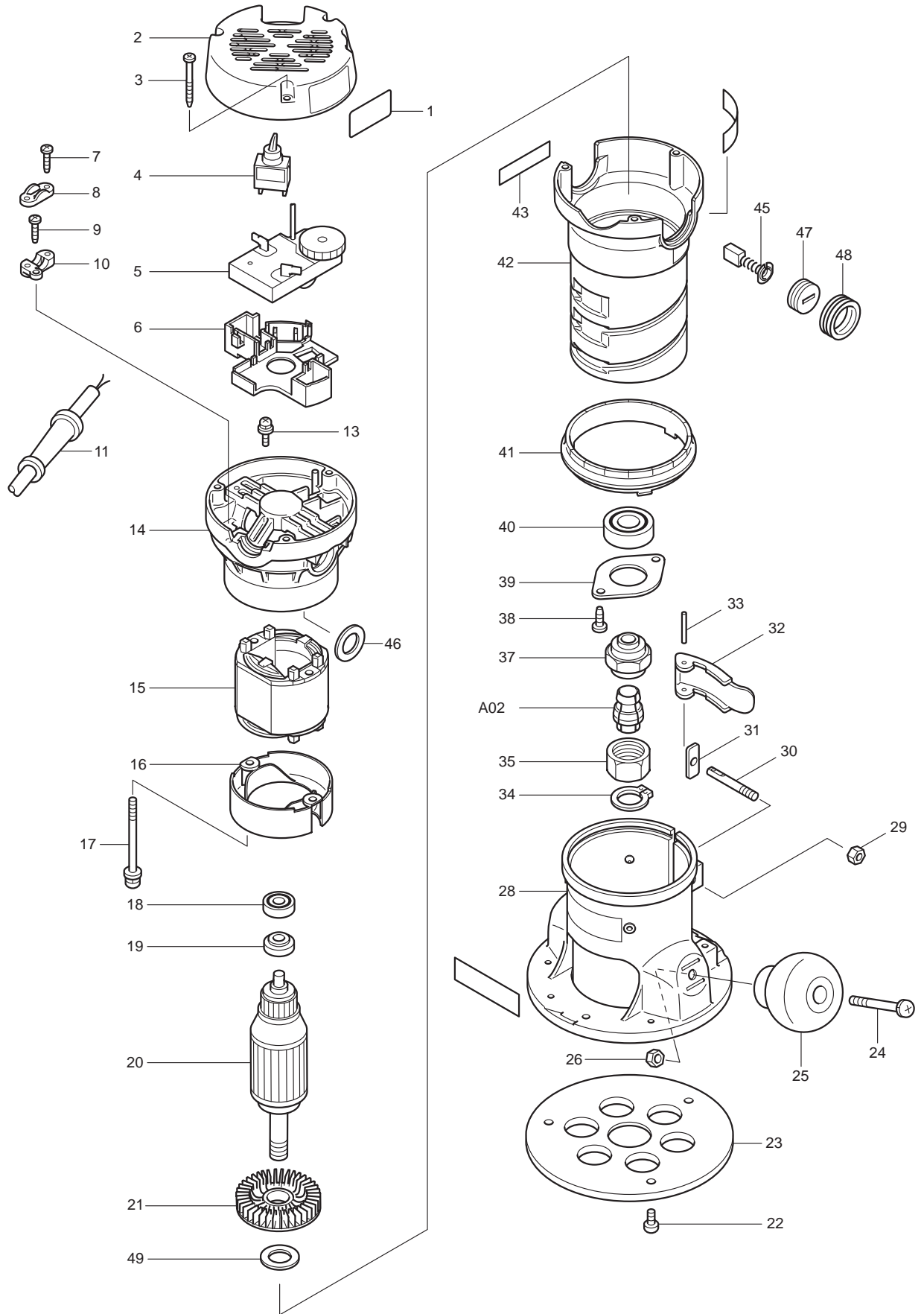




03 - 2010
RF1101
RF1101KIT
2-1/4 HP ROUTER VARIABLE SPEED DOG EAR



Item No	Type	Ref	Part No	Description	Qty	Unit
001			812990-3	INDICATION LABEL	1	PC.
002			417140-1	REAR COVER	1	PC.
003			266203-8	TAPPING SCREW BIND CT 4X40	3	PC.
004			651423-1	SWITCH	1	PC.
005			631397-2	CONTROLLER	1	PC.
006			417143-5	CONTROLLER HOLDER	1	PC.
007	2		265A48-7	TAPPING SCREW 4X18	2	PC.
008			687052-4	STRAIN RELIEF	1	PC.
009			266034-5	TAPPING SCREW CT 4X16	1	PC.
010			687100-9	STRAIN RELIEF	1	PC.
011			565056-5	CORD W/PLUG 3P-16-2.5M, SJ	1	PC.
		INC.	654110-1	INSULATED RECEPTACLE	1	PC.
		INC.	654113-5	TERMINAL 34108	1	PC.
		INC.	654117-7	INSULATING TERMINAL (OLD# 654037-5)	1	PC.
		INC.	682505-8	CORD GUARD 10-90	1	PC.
013			652014-1	PAN HEAD SCREW M4X8	1	PC.
014			151879-3	MOTOR REAR HOUSING COMPLETE	1	PC.
		INC.	643708-9	BRUSH HOLDER 5-11	2	PC.
015			594356-6	FIELD ASS'Y 115V	1	PC.
		INC.	654069-2	RECEPTACLE	1	PC.
		INC.	654020-2	RING TERMINAL	2	PC.
		INC.	654501-6	CONNECTOR P-1.25	2	PC.
016			417136-2	BAFFLE PLATE	1	PC.
017			911686-4	PAN HEAD SCREW M5X65	2	PC.
018			210005-4	BALL BEARING 608DDW	1	PC.
019			681650-6	INSULATION WASHER	1	PC.
020			518633-2	ARMATURE ASS'Y 115V (OLD# 516406-7 - N/L/A)	1	PC.
		INC.		Item No. 18,19,21		
021			240031-9	FAN 60	1	PC.
022			265081-3	+ P.H.SCREW W3/16-24X10	3	PC.
023			417138-8	BASE PLATE	1	PC.
024			911378-5	PAN HEAD SCREW M6X55	2	PC.
025			271313-8	KNOB 55	2	PC.
026			931301-4	HEX. NUT M6	2	PC.
027			812986-4	INDICATION LABEL	1	PC.
028			151880-8	ROUTER BASE COMPLETE	1	PC.
029			252014-7	HEX. LOCK NUT M6-10	1	PC.
030			323968-6	SUPPORT PIN	1	PC.
031			344852-2	PLATE	1	PC.
032			344851-4	LOCK LEVER	1	PC.
033			268063-4	PIN 4	1	PC.
034			961056-7	RETAINING RING S-16	1	PC.
035			763642-8	COLLET NUT	1	PC.
037			763641-0	COLLET BODY	1	PC.
038			266035-3	TAPPING SCREW BIND CT 5X12	2	PC.
039			285689-7	BEARING RETAINER 55	1	PC.
040			211228-7	BALL BEARING 6202DDW	1	PC.
041			417137-0	SCALE RING	1	PC.
042			317319-3	MOTOR HOUSING	1	PC.
043	3		804M94-3	CAUTION LABEL	1	PC.
044			852511-9	NAME PLATE RF1101	1	PC.
044			852511-9	NAME PLATE RF1101	1	PC.
045	2		194996-6	CARBON BRUSH CB-303 2PC/SET (W/ ORIGIN)	1	SET
046			681009-7	WASHER	2	PC.
047			643750-0	BRUSH HOLDER CAP	2	PC.
048			681655-6	HOLDER RING	2	PC.
049			253853-8	FLAT WASHER 15	1	PC.

Item No	Type	Ref	Part No	Description	Qty	Unit
050			265746-7	THUMB SCREW M5X37 (to Fix Dust Nozzle on Base)	1	PC.
051			922212-4	HEX. SOCKET HEAD BOLT M5X12 (to install Stright guide)	2	PC.
100			652008-6	P.H. SCREW M3.5 X 7 (F/Switch)	2	PC.
106			654198-1	INSULATED TERMINAL (F/Switch)	1	PC.
<u>ACCESSORIES</u>						
- See catalogue or visit www.makita.ca for more optional accessories -						
A01			781031-5	WRENCH 27	2	PC.
A02			193214-9	COLLET CONE 1/4" (6.35)	1	PC.
A02			193215-7	COLLET CONE 1/2" (12.7)	1	PC.
A03			193155-9	CLEAR BASE PLATE (2-1/2"HOLE)	1	PC.
A04			783202-0	HEX. WRENCH 4	1	PC.
A05			781213-9	WRENCH 8	1	PC.
			781034-9	WRENCH 8 - 24	1	PC.
A06			193073-1	STRAIGHT GUIDE SET	1	PC.
		INC.	193292-9	ROD 8 SET, 2PC/SET	1	SET
		INC.	193359-3	ROD 12 SET, 2PC/SET	1	SET
		INC.	193360-8	ROD 7 SET, 2PC/SET	1	SET
A06	2		193312-9	STRAIGHT GUIDE, W/MICRO ADJUSTMENT, STEEL	1	PC.
A07			193457-3	PLUNGE ROUTER BASE SET - See Parts Breakdown 193457-3	1	PC.
		INC.		Item No. 22-26, 28-33, 41		
	Opt.		193103-8	ROUTER BASE SET - See Parts Breakdown 193103-8	1	SET
	Opt.		193104-6	D-HANDLE BASE SET (Optional) See parts breakdown 193104-6	1	PC.
A08			125153-5	PLASTIC CARRYING CASE ASS'Y	1	PC.
		INC.	416401-6	LATCH(PLASTIC)	2	PC.
A09			763805-6	COLLET SLEEVE 1/2" --> 3/8"	1	PC.
A10			P-80009	DUST NOZZLE SET	1	PC.
A11			-----	DOVETAIL ROUTER BITS		
A13			193366-6	TEMPLET GUIDE 5/8" Use F/KJ150	1	PC.